

# ITT

Residential Water Systems

## Goulds Pumps

PE Submersible  
Effluent Pump



### FEATURES

---

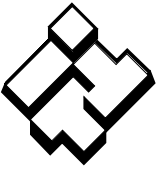
- Corrosion resistant construction.
- Cast iron body.
- Thermoplastic impeller and cover.
- Upper sleeve and lower heavy duty ball bearing construction.
- Motor is permanently lubricated for extended service life.
- Powered for continuous operation.
- All ratings are within the working limits of the motor.
- Quick disconnect power cord, 20' standard length, heavy duty 16/3 SJTW with 115 or 230 volt grounding plug.
- Complete unit is heavy duty, portable and compact.
- Mechanical seal is carbon, ceramic, BUNA and stainless steel.
- Stainless steel fasteners.

 **GOULDS PUMPS**

Goulds Pumps is a brand of ITT Water Technology, Inc.  
- a subsidiary of ITT Industries, Inc.

[www.goulds.com](http://www.goulds.com)

*Engineered for life*



# ITT

## GOULDS PUMPS Residential Water Systems

### APPLICATIONS

Specially designed for the following uses:

- Mound Systems
- Effluent/Dosing Systems
- Low Pressure Pipe Systems
- Basement Draining
- Heavy Duty Sump/  
Dewatering

### SPECIFICATIONS

#### Pump – General:

- Discharge: 1½" NPT
- Temperature: 104°F (40°C) maximum, continuous when fully submerged.
- Solids handling: ½" maximum sphere.
- Automatic models include a float switch.
- Manual models available.
- Pumping range: see performance chart or curve.

#### PE31 Pump:

- Maximum capacity: 53 GPM
- Maximum head: 25' TDH

#### PE41 Pump:

- Maximum capacity: 61 GPM
- Maximum head: 29' TDH

#### PE51 Pump:

- Maximum capacity: 70 GPM
- Maximum head: 37' TDH

### MOTOR

#### General:

- Single phase
- 60 Hertz
- 115 and 230 volts
- Built-in thermal overload protection with automatic reset.
- Class B insulation.
- Oil-filled design.
- High strength carbon steel shaft.

#### PE31 Motor:

- .33 HP, 3000 RPM
- 115 volts
- Shaded pole design

#### PE41 Motor:

- .40 HP, 3400 RPM
- 115 and 230 volts
- PSC design

#### PE51 Motor:

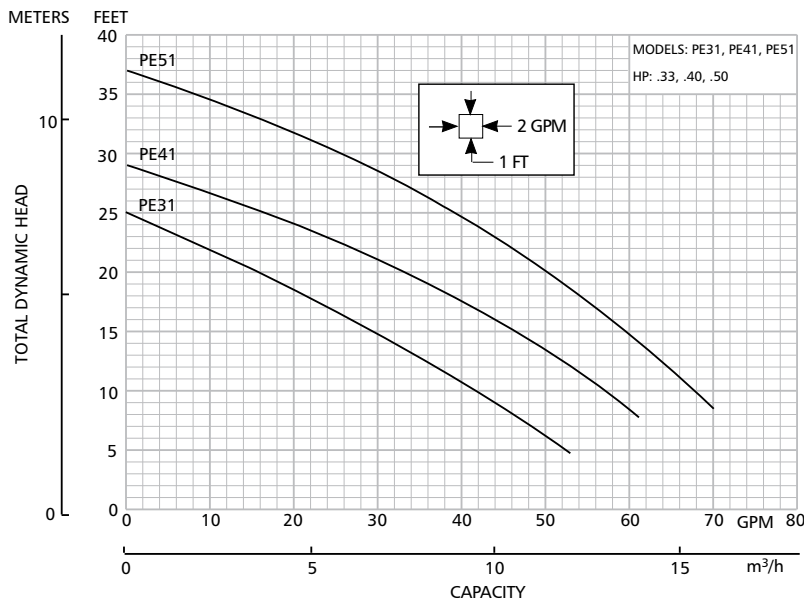
- .50 HP, 3400 RPM
- 115 and 230 volts
- PSC design

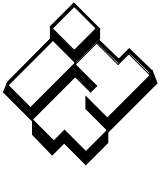
### AGENCY LISTINGS



Tested to UL 778 and  
CSA 22.2 108 Standards  
By Canadian Standards Association  
File #LR38549

Goolds Pumps is ISO 9001 Registered.





# ITT

## GOULDS PUMPS Residential Water Systems

### PERFORMANCE RATINGS

#### PE31

Total Head (feet of water)	GPM
5	52
10	42
15	29
20	16
25	0

#### PE51

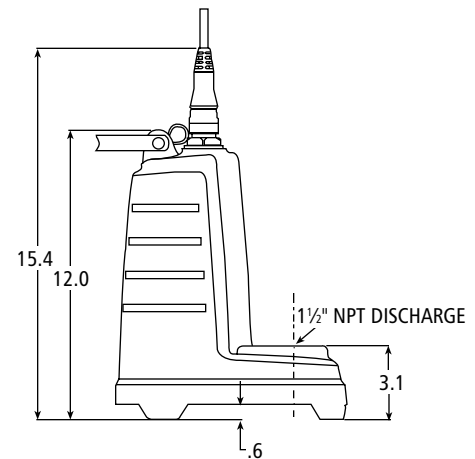
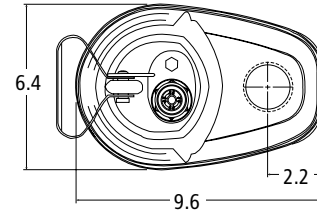
Total Head (feet of water)	GPM
10	67
15	59
20	50
25	39
30	26
35	8

#### PE41

Total Head (feet of water)	GPM
8	61
10	57
15	46
20	33
25	16

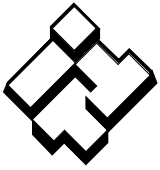
### DIMENSIONS

(All dimensions are in inches. Do not use for construction purposes.)



### PUMP INFORMATION

Order No.	HP	Volts	Amps	Minimum Circuit Breaker	Phase	Float Switch Style	Cord Length	Discharge Connection	Minimum Basin Diameter	Maximum Solids Size	Shipping Weight lbs/kg
PE31M	0.33	115	12	20	1	Manual / No Switch	20'	1.5"	18"	.5"	31 / 14.1
PE31P1						Piggyback Float Switch					
PE41M	0.4	230	7.5	15		Manual / No Switch					
PE41P1						Piggyback Float Switch					
PE42M	0.4	230	3.7	10		Manual / No Switch					
PE42P1						Piggyback Float Switch					
PE51M	0.5	115	9.5	20		Manual / No Switch					
PE51P1						Piggyback Float Switch					
PE52M		230	4.7	10	Manual / No Switch						
PE52P1					Piggyback Float Switch						



**ITT**

**Residential Water Systems**



Goulds Pumps and the ITT Engineered Blocks Symbol are registered trademarks and tradenames of ITT Industries Inc.

SPECIFICATIONS ARE SUBJECT TO CHANGE WITHOUT NOTICE.

**BPE February, 2006**

© 2006 ITT Water Technology, Inc.

*Engineered for life*