



# American Concrete Industries

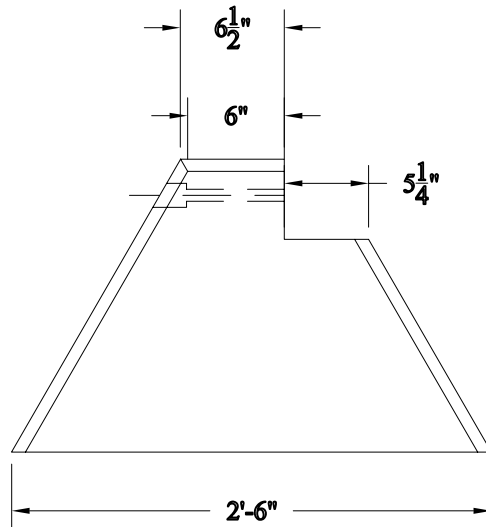
Timber Barrier

Catalog Section:

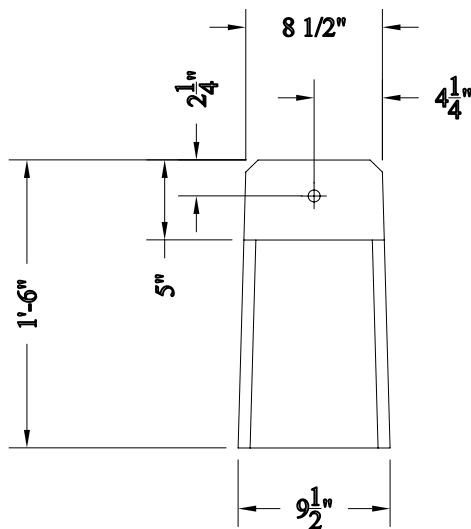
Layout Name:

## General Notes

1. All concrete has a minimum 4,000 PSI compressive strength at 28 days.
2. Reinforced with #3 Bars.



Side View



End View

## Timber Barrier Supports

Item # 5322 Weight: 270 lbs. ea.