

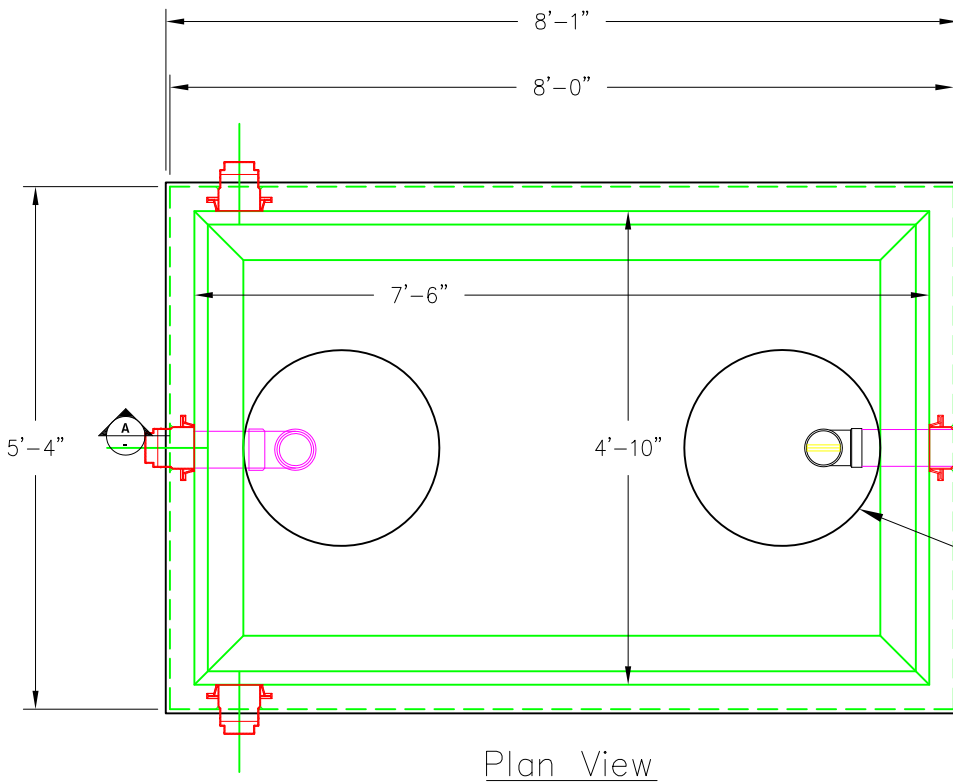


American Concrete Industries

1000 Gallon Regular H-20 Tank

Catalog Section: Residential Tanks

Layout Name: Catalog Vertical



General Notes:

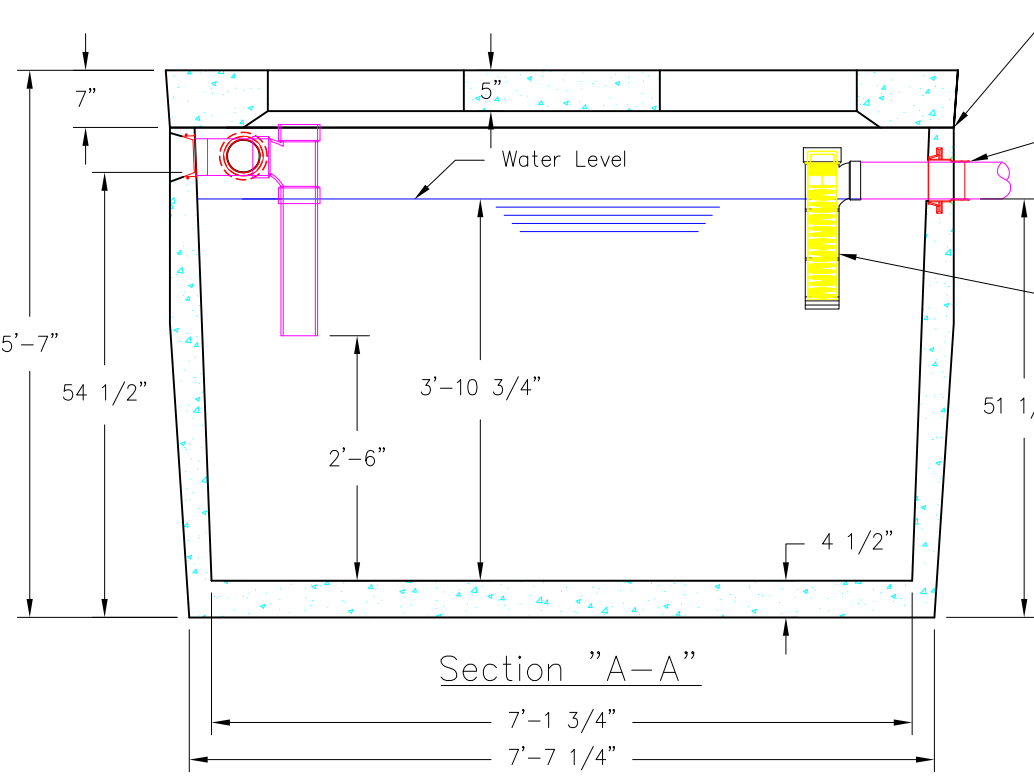
Concrete Specifications:

- 1) 5000 psi @ 28 Days
- 2) 4%-6% Entrained Air
- 3) Tank Penetrations are integrally cast
- 4) Designed for H-20 Wheel Loading

Site Information:

- 1) Tanks Should be pumped every 3-5 years
- 2) Requires grade rings to grade with H-20 Frame & Covers
- 3) Fill Requirements: 12"-60"

24"Ø Opening (typ. of 2)



Joint sealed with $\frac{3}{4}$ " X $1\frac{1}{2}$ " butyl rubber seal. All tanks should be plant sealed for best results.

4"Ø Rubber Boot w/ seal clamp accepts SCH40, SDR35 or S&D

Effluent filter with 68 L.F. of $\frac{1}{16}$ " filtering properties installed on tank outlet. Remove, clean and reinstall every time tank is pumped.

1000 Gallon Top Seam Septic Tank (H-20)

Item # 2134

Weight: 9900 lbs.