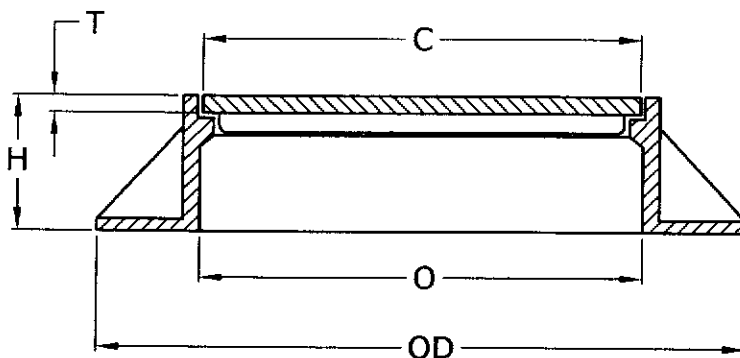


PLEASE SPECIFY.....

- SEWER
- STORM
- SANITARY SEWER
- DRAIN
- ELECTRIC
- PLAIN
- COMMUNICATION
- TELEPHONE
- OTHER →

D



	MODEL	C	H	O	OD	T
<input type="checkbox"/>	4001-A	24	3	22	34 OR 36	1 3/8 OR 1 1/4
<input checked="" type="checkbox"/>	4001-B	24	4	22	34 OR 36	1 3/8 OR 1 1/4
<input checked="" type="checkbox"/>	4001-C	24	6	22	34 OR 36	1 3/8 OR 1 1/4
<input type="checkbox"/>	4001-D	24	7	22	34 OR 36	1 3/8 OR 1 1/4
<input type="checkbox"/>	4001-E	24	8	22	34 OR 36	1 3/8 OR 1 1/4
<input type="checkbox"/>	4001-F	24	9	22	34 OR 36	1 3/8 OR 1 1/4

MATERIALS : CONFORMS TO ASTM A48 CLASS 30B SPECIFICATIONS
 LOAD RATING : FOR A.A.S.H.T.O. & HS 20-44 HIGHWAY LOADING

HEAVY DUTY 24" FRAMES & COVERS