



American Concrete Industries

1000 Gallon H-20 Holding Tank

Catalog Section: Residential.Holding Tanks

Layout Name: Catalog Vertical

General Notes

Concrete Specifications:

4000 psi after 28 days

4%-6% entrained air

Reinforcing is grade 60

Tank penetrations are integrally cast

Designed for HSS-20 wheel loading

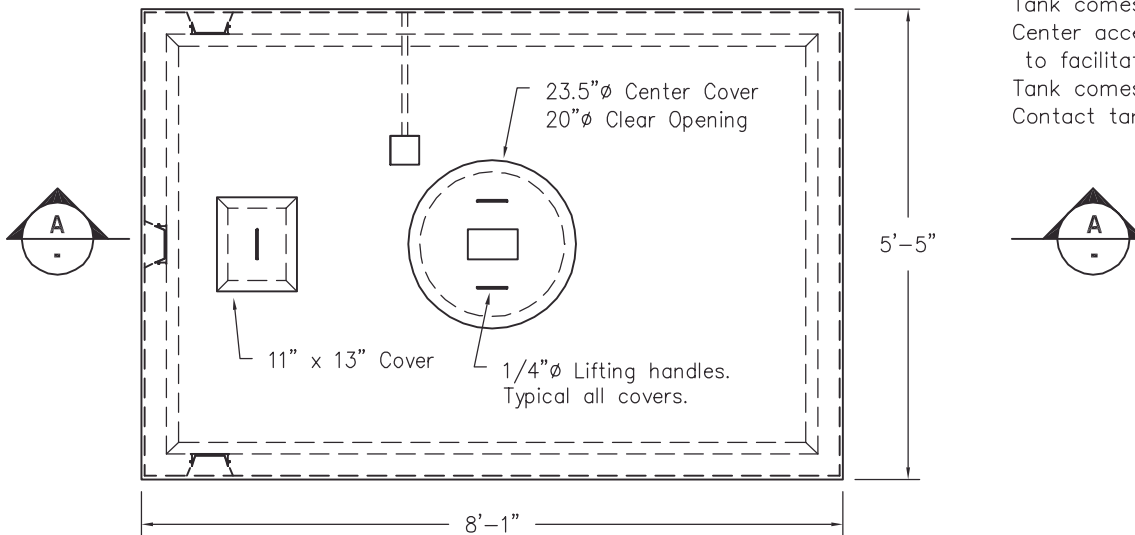
Holding Tank Information:

Tank comes with 30' cord.

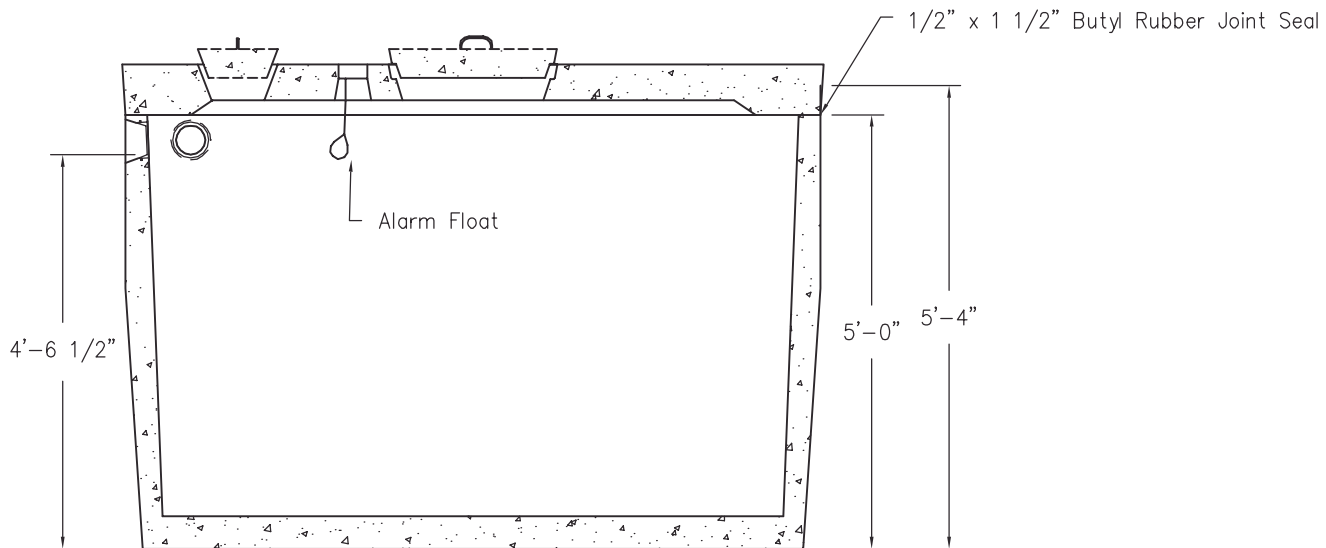
Center access covers should have risers to facilitate pumping of tank.

Tank comes with high water alarm.

Contact tank pumper when alarm sounds.



Plan View



Section A-A

1000 Gallon H-20 Holding Tank

Item # 2035

Weight: 9900 lbs.