

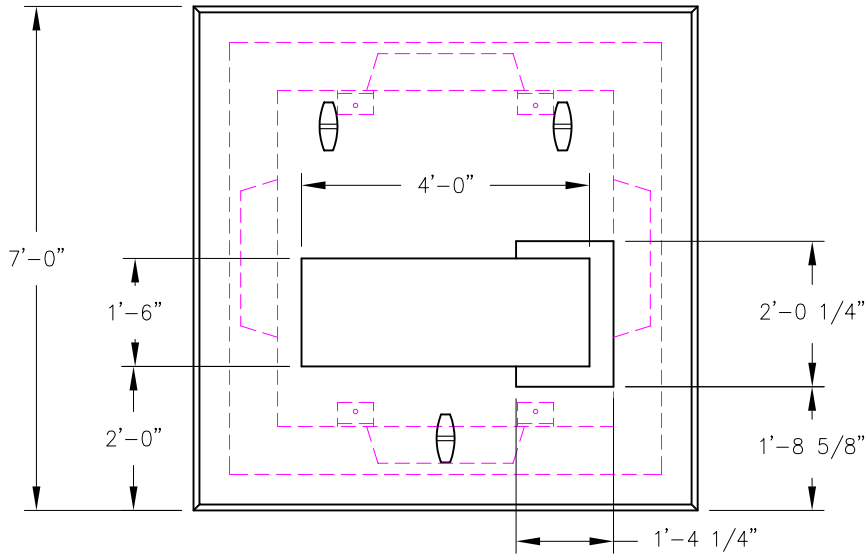
3 Phase Transformer Pad 7'x7'- CMP

Pad Item # 5736

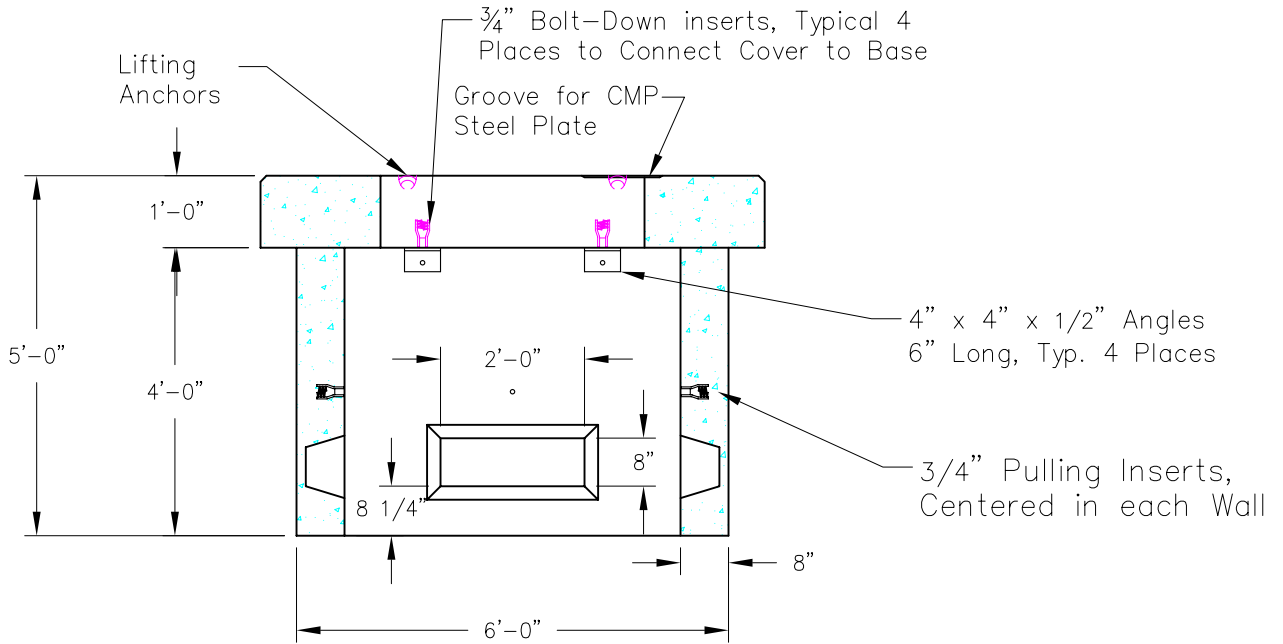
General Notes

Concrete Specifications:

- 1) 4000 psi after 28 days with 4%–6% air
- 2) Reinforcing is grade 60



Plan View



Section View



American Concrete Industries

1022 Minot Ave. Auburn, ME / 1717 Stillwater Ave. Veazie, ME
Tel: 207-784-1388 / Tel: 207-947-8334

Last Revised:
03/06

PG. XXX