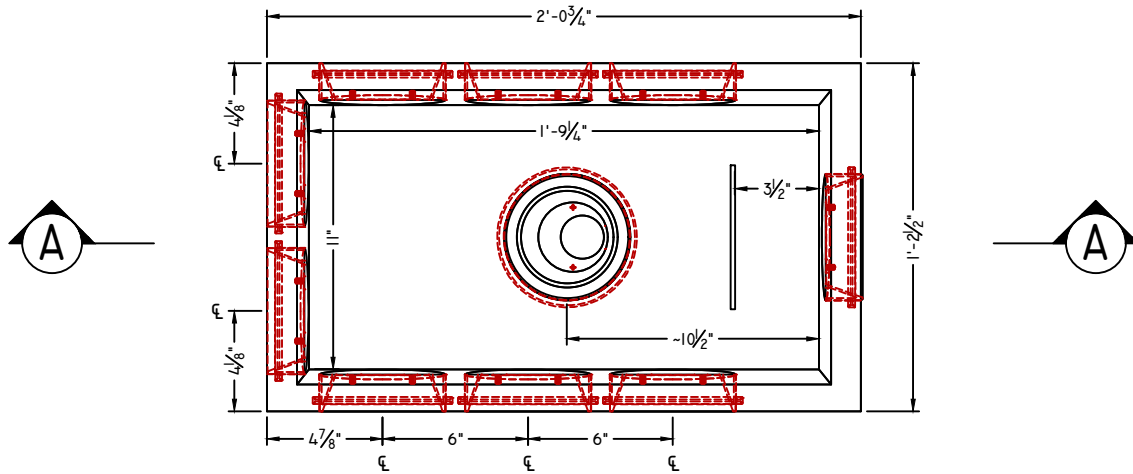
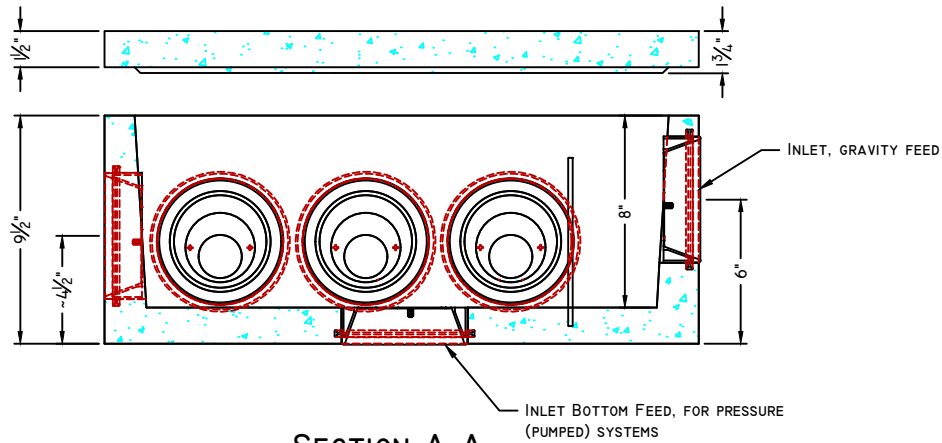




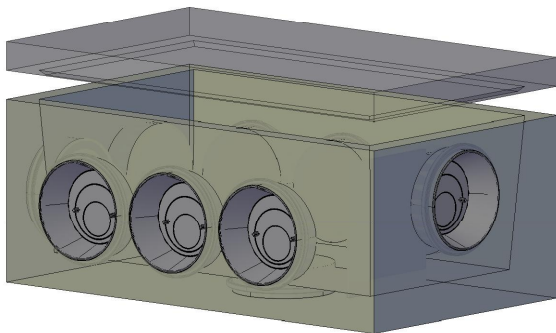
8 OUTLET DISTRIBUTION BOX (D-Box)



PLAN VIEW
(WITHOUT COVER)



SECTION A-A



CONCEPTUAL VIEW

SCALE: NTS

Manufacturing Notes

- 1.1. CONCRETE COMPRESSIVE STRENGTH: 4,000PSI @ 28 DAYS
- 1.2. AIR ENTRAINMENT: 4-6%
- 1.3. GRADE 60 REINFORCEMENT & STRUCTURAL FIBER REINFORCED
- 1.4. NEVER USE SEPTIC CLEANING AGENTS
- 1.5. DESIGNED FOR PEDESTRIAN LOAD RATING ONLY
- 1.6. ALL PIPE SEAL PENETRATIONS ARE INTEGRALLY CAST
- 1.7. FLOW EQUALIZERS RECOMMENDED FOR EQUAL BED LOADING

Physical Specifications:

Cover Weight:	53 lbs
Base Weight:	95 lbs
Total Weight:	148 lbs