

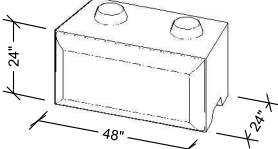
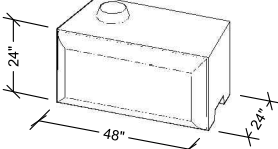
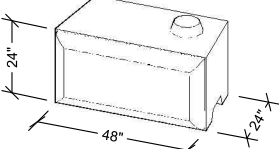
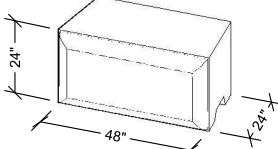
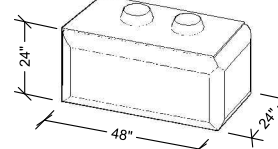
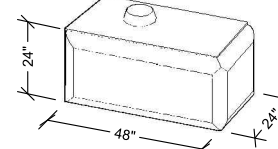
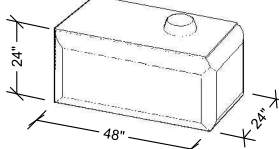
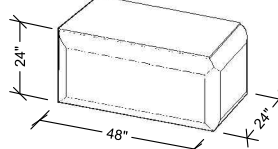
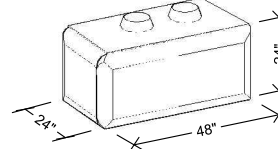
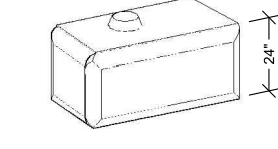
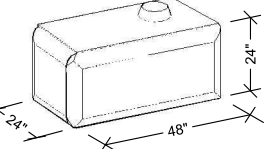
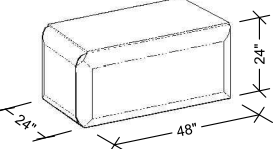
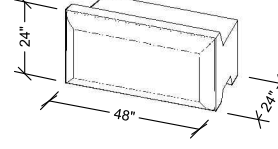
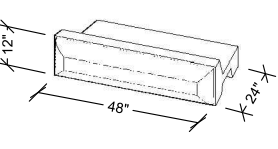
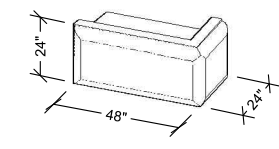
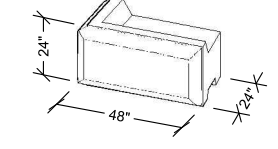
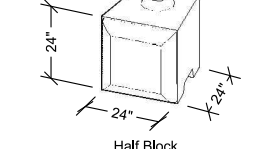
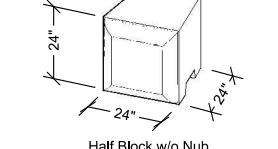
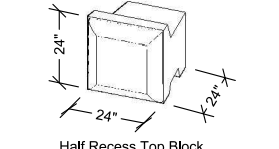
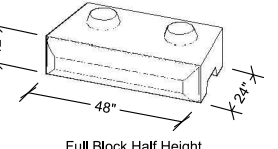


American Concrete Industries

Rugged Rock Order Form

Customer: _____
 Project Name: _____
 Location: _____

Date Sold: _____
 Date Required: _____
 Notes: _____

<p>Stock Item# 314010</p>  <p>Full Block WT: 2,451 #</p> <p>(16.34 ft³) QTY: _____</p>	<p>Stock Item# 314020</p>  <p>Full Block w/ Left Nub WT: 2,436 #</p> <p>(16.24 ft³) QTY: _____</p>	<p>Stock Item# 314030</p>  <p>Full Block w/ Right Nub WT: 2,436 #</p> <p>(16.24 ft³) QTY: _____</p>	<p>Stock Item# 314040</p>  <p>Full Block w/o Nubs WT: 2,421 #</p> <p>(16.14 ft³) QTY: _____</p>
<p>Stock Item# 314060</p>  <p>Right Corner Block WT: 2,703 #</p> <p>(18.02 ft³) QTY: _____</p>	<p>Stock Item# 314070</p>  <p>Right Corner Block w/ Left Nub WT: 2,688 #</p> <p>(17.92 ft³) QTY: _____</p>	<p>Stock Item# 314080</p>  <p>Right Corner Block w/ Right Nub WT: 2,688 #</p> <p>(17.92 ft³) QTY: _____</p>	<p>Stock Item# 314090</p>  <p>Right Corner Block w/o Nubs WT: 2,673 #</p> <p>(17.82 ft³) QTY: _____</p>
<p>Stock Item# 314100</p>  <p>Left Corner Block WT: 2,703 #</p> <p>(18.02 ft³) QTY: _____</p>	<p>Stock Item# 314110</p>  <p>Left Corner Block w/ Left Nub WT: 2,688 #</p> <p>(17.92 ft³) QTY: _____</p>	<p>Stock Item# 314120</p>  <p>Left Corner Block w/ Right Nub WT: 2,688 #</p> <p>(17.92 ft³) QTY: _____</p>	<p>Stock Item# 314130</p>  <p>Left Corner Block w/o Nubs WT: 2,673 #</p> <p>(17.82 ft³) QTY: _____</p>
<p>Stock Item# 314140</p>  <p>Full Recess Top Block WT: 2,000 #</p> <p>(13.33 ft³) QTY: _____</p>	<p>Stock Item# 314150</p>  <p>Full Recess Top Block Half Height WT: 708 #</p> <p>(4.72 ft³) QTY: _____</p>	<p>Stock Item# 314160</p>  <p>Right Corner Recess Top Block Right WT: 2,288 #</p> <p>(15.25 ft³) QTY: _____</p>	<p>Stock Item# 314170</p>  <p>Left Corner Recess Top Block WT: 2,288 #</p> <p>(15.25 ft³) QTY: _____</p>
<p>Stock Item# 314180</p>  <p>Half Block WT: 1,148 #</p> <p>(7.65 ft³) QTY: _____</p>	<p>Stock Item# 314190</p>  <p>Half Block w/o Nub WT: 1,133 #</p> <p>(7.55 ft³) QTY: _____</p>	<p>Stock Item# 314200</p>  <p>Half Recess Top Block WT: 939 #</p> <p>(6.26 ft³) QTY: _____</p>	<p>Stock Item# 314050</p>  <p>Full Block Half Height WT: 1,160 #</p> <p>(7.73 ft³) QTY: _____</p>

AMERICAN CONCRETE INDUSTRIES
 1022 MINOT AVE. AUBURN, ME / 1717 STILLWATER AVE. VEAZIE, ME
 TEL: 207-784-1388 FAX: 207-783-4039 / TEL: 207-947-8334 FAX: 207-947-3580

DRAWING NAME: Rugged Rock Order Form
 LATEST REV.: 0.01 DATE: 04/24/2013
 DRAWING DATE: 08/08/2000