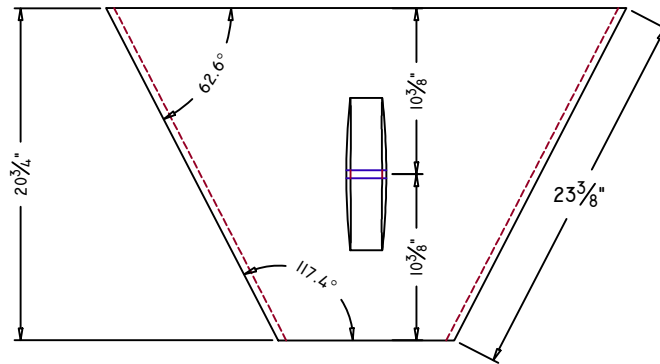
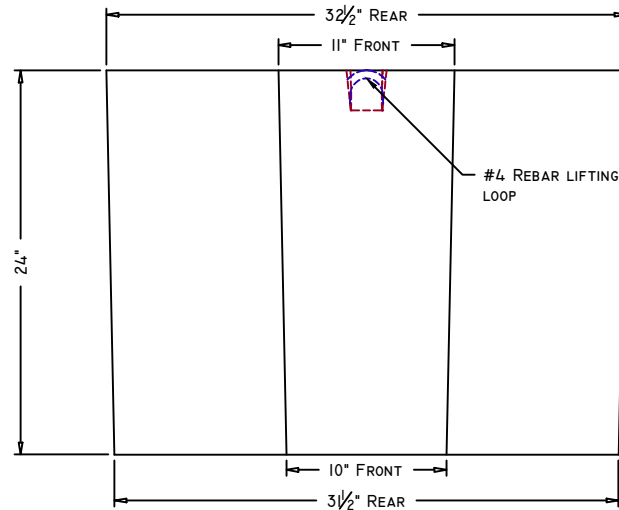




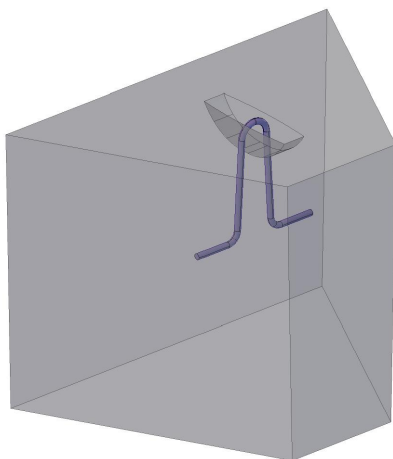
STANDARD THRUST BLOCK (1/4 YARD)



PLAN VIEW



ELEVATION VIEW



CONCEPTUAL VIEW

SCALE: NTS

Manufacturing Notes

- 1.1. CONCRETE COMPRESSIVE STRENGTH: 5000psi @ 28 DAYS
- 1.2. AIR ENTRAINMENT: 4-6%
- 1.3. GRADE 60 REINFORCEMENT

Physical Specifications:

Piece Weight: 890 lbs