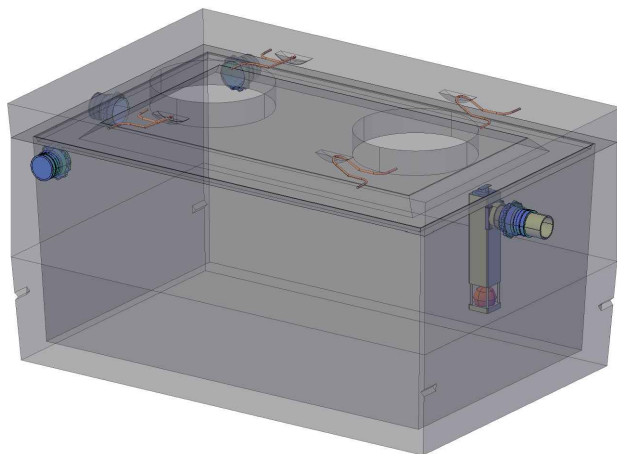
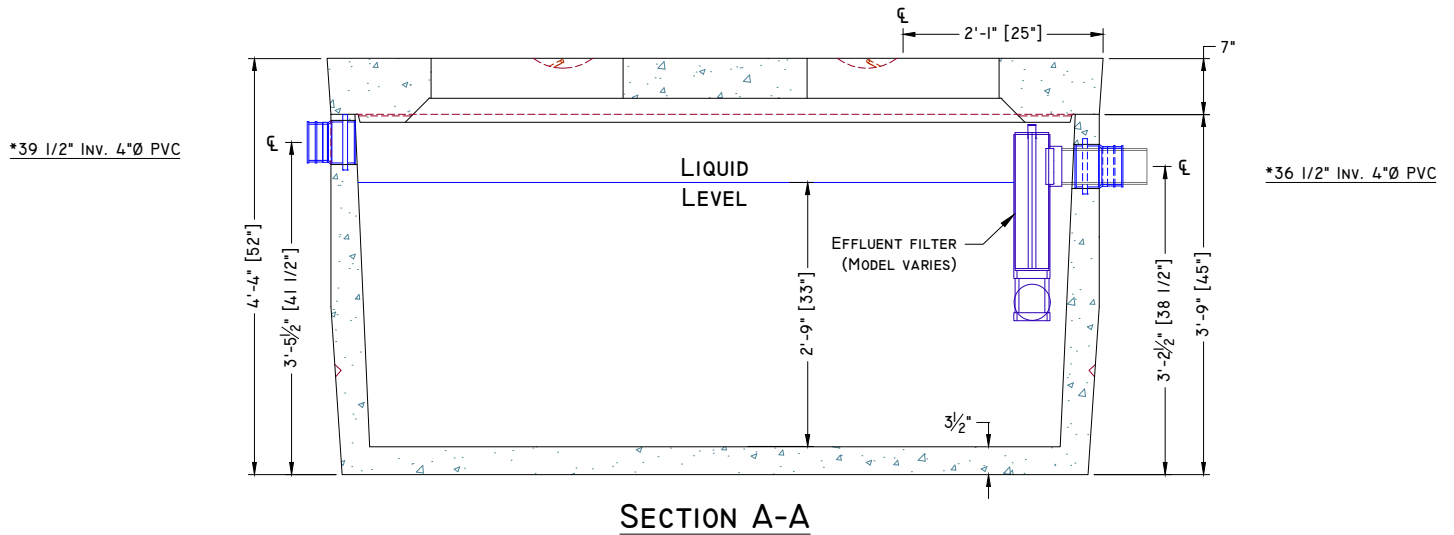
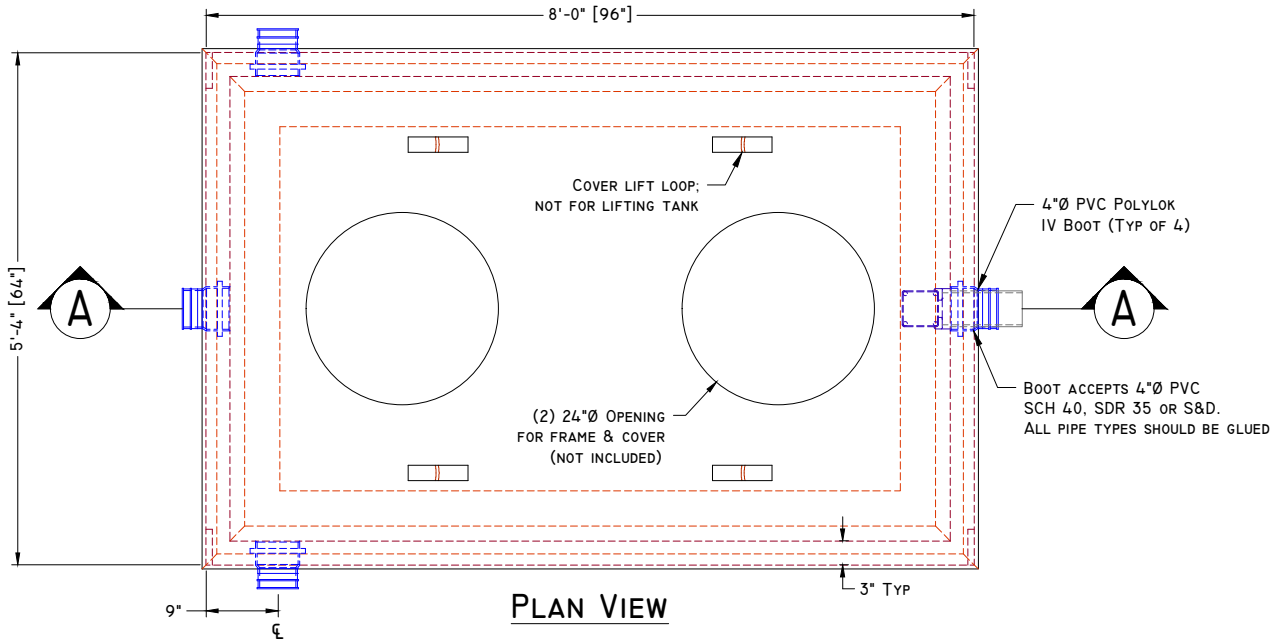




750 GALLON LOWBOY SEPTIC TANK H-20



CONCEPTUAL VIEW - NTS

*Dimension is taken from bottom of tank
Manufacturing Notes

- 1.1. CONCRETE COMPRESSIVE STRENGTH: 5000PSI @ 28 DAYS
- 1.2. AIR ENTRAINMENT: 4-6%
- 1.3. GRADE 60 REINFORCEMENT
- 1.4. STRUCTURAL FIBER REINFORCED BASE
- 1.5. TANKS SHOULD BE PUMPED EVERY 3-5 YEARS, DEPENDING ON USE
- 1.6. NEVER USE SEPTIC CLEANING AGENTS
- 1.7. DESIGNED FOR H-20 LOAD RATING
- 1.8. ALL TANK PENETRATIONS ARE INTEGRALLY CAST
- 1.9. ALL JOINTS SEALED W/ BUTYL RUBBER JOINT SEALANT

Physical Specifications:

Cover Weight:	3,000 lbs
Tank Weight:	5,740 lbs
Total Weight:	8,740 lbs
Available Capacity:	890 gal (max)
Working Capacity:	700 gal (4"Ø PVC)