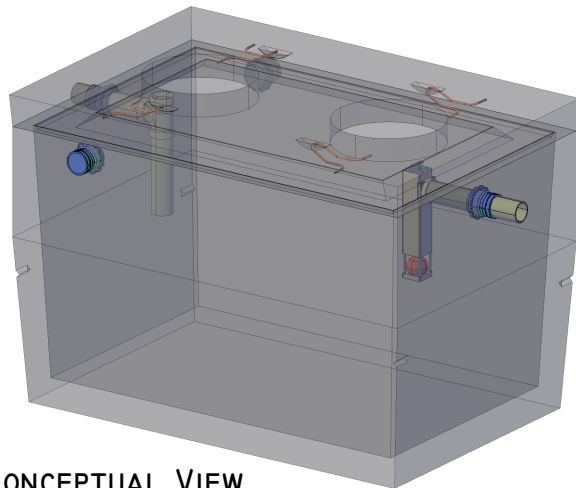
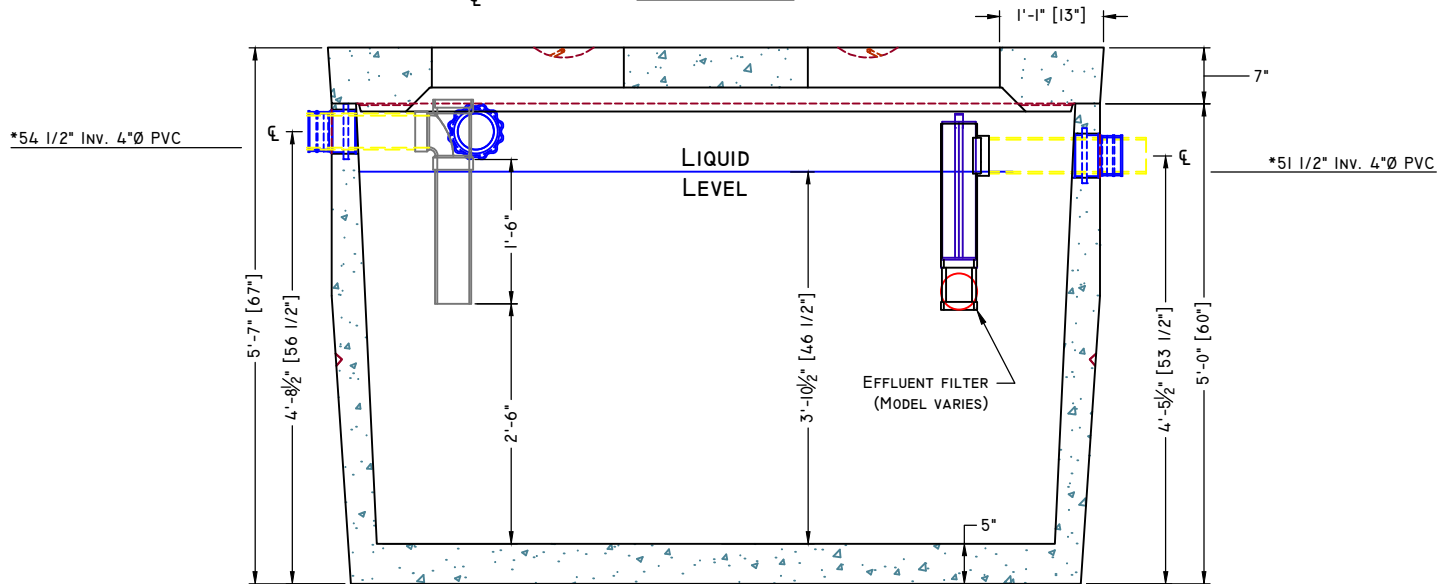
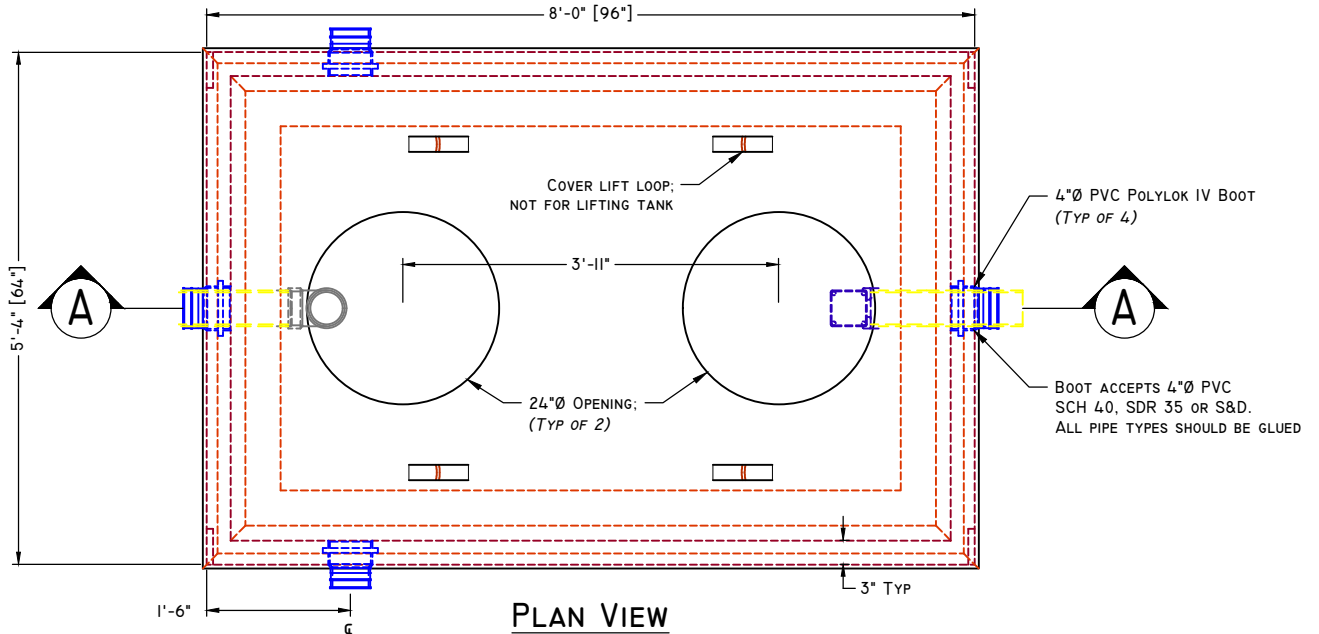




1,000 GALLON H-20 SEPTIC TANK



SCALE: NTS

*Dimension is taken from bottom of tank

Manufacturing Notes

- 1.1. CONCRETE COMPRESSIVE STRENGTH: 5000PSI @ 28 DAYS
- 1.2. AIR ENTRAINMENT: 4-6%
- 1.3. GRADE 60 REINFORCEMENT
- 1.4. STRUCTURAL FIBER REINFORCED BASE
- 1.5. TANKS SHOULD BE PUMPED EVERY 3-5 YEARS, DEPENDING ON USE
- 1.6. NEVER USE SEPTIC CLEANING AGENTS
- 1.7. DESIGNED H-20 LOAD RATING
 - 1.7.1. SPECIFY H20 FOR BURIAL DEPTHS > 5'
- 1.8. ALL TANK PENETRATIONS ARE INTEGRALLY CAST
- 1.9. ALL JOINTS SEALED W/ BUTYL RUBBER JOINT SEALANT
- 1.10. FILTER INSTALLATION:
 - 1.10.1. INLET PVC Baffle & FILTER FURNISHED ONLY - INSTALLED ONSITE, BY OTHERS
 - 1.10.2. INSTALL FILTER UNDER ACCESS HOLE FOR PROPER CLEARANCE OF CARTRIDGE [IN/OUT] OF HOUSING

Physical Specifications:

Cover Weight:	3,000 lbs
Tank Weight:	7,757 lbs
Total Weight:	10,757 lbs
Available Capacity:	1,174 gal (max) W/O Baffle
Working Capacity:	973 gal (4"Ø PVC) W/ Baffle