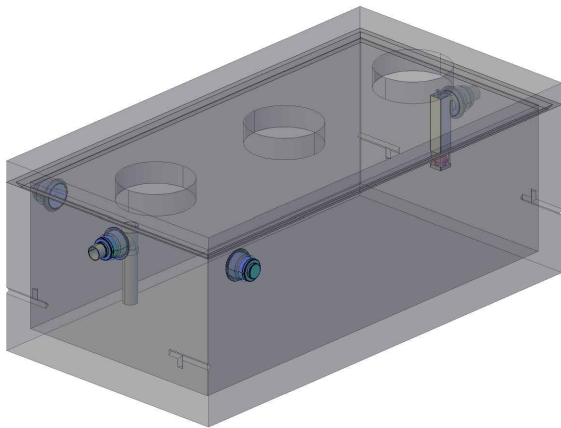
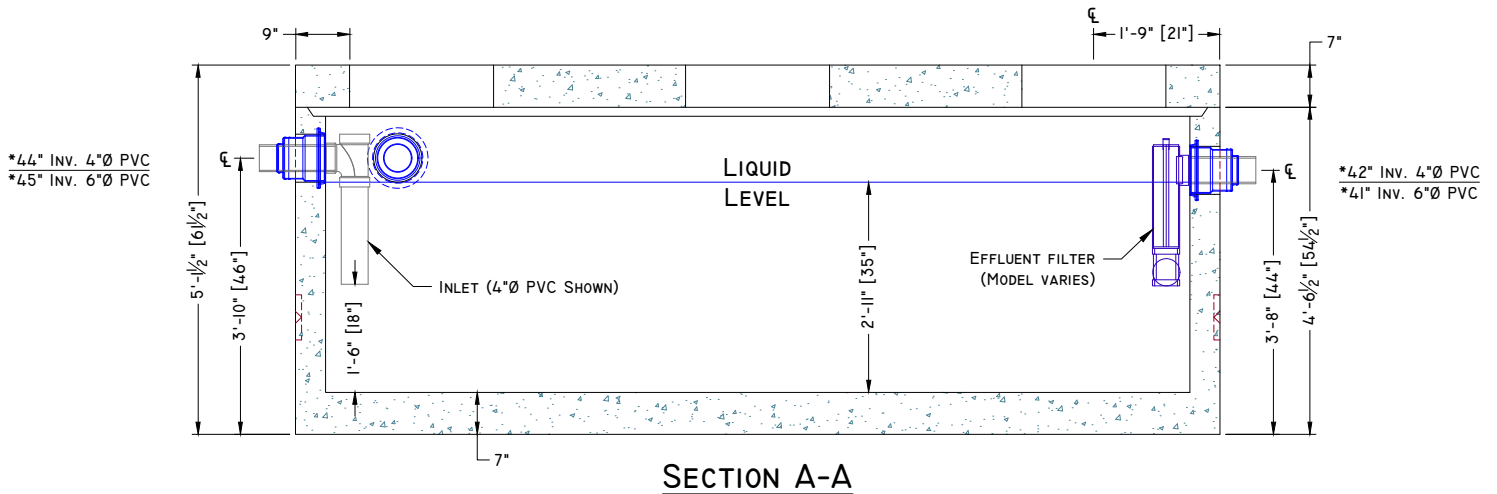
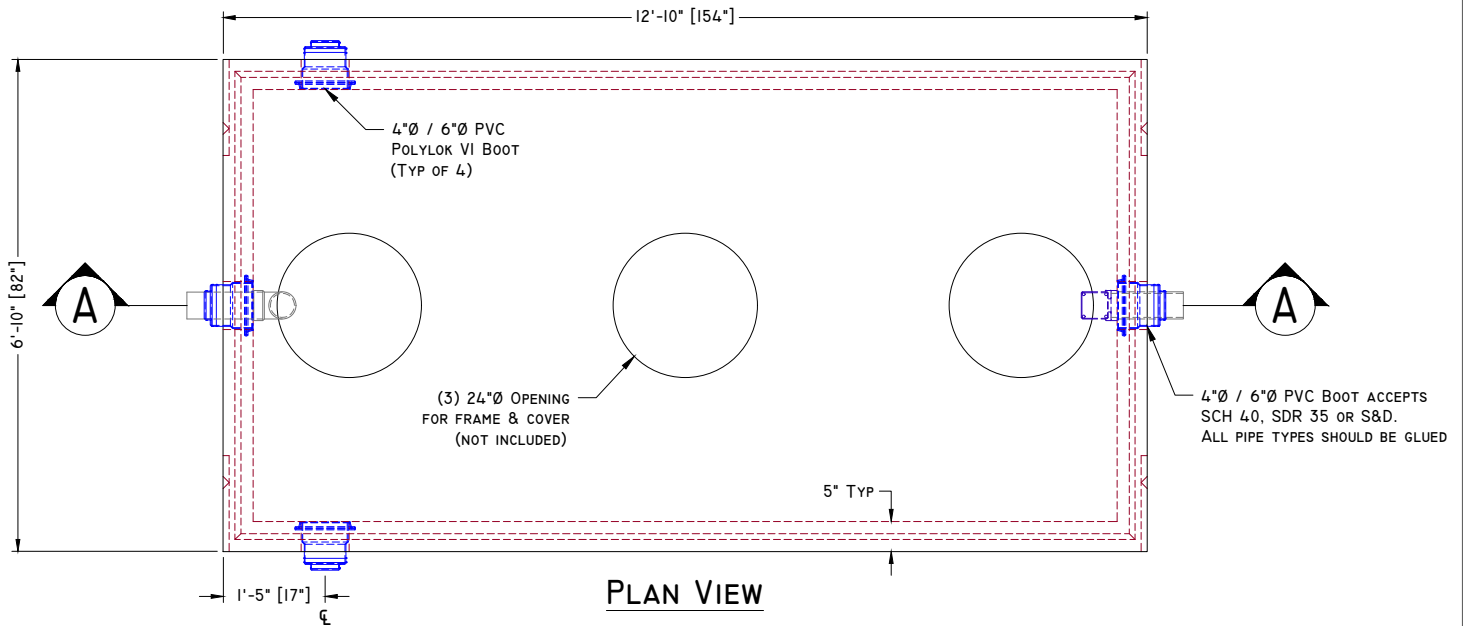




# American Concrete Industries

## 38Y 1500GAL SEPTIC TANK

WWW.AMERICANCONCRETE.COM  
 1717 STILLWATER AVE.  
 VEAZIE, ME. 04401  
 TEL: (207) 947-8334  
 FAX: (207) 947-3580



**CONCEPTUAL VIEW - NTS**

\*Dimension is taken from bottom of tank

**Manufacturing Notes**

- 1.1. CONCRETE COMPRESSIVE STRENGTH: 5000psi @ 28 Days
- 1.2. AIR ENTRAINMENT: 4-6%
- 1.3. GRADE 60 REINFORCEMENT
- 1.4. TANKS SHOULD BE PUMPED EVERY 3-5 YEARS, DEPENDING ON USE
- 1.5. NEVER USE SEPTIC CLEANING AGENTS
- 1.6. DESIGNED FOR H20 LOAD RATING
- 1.7. REQUIRES GRADE RINGS TO GRADE & H20 FRAMES & COVERS
- 1.8. ALL TANK PENETRATIONS ARE INTEGRALLY CAST
- 1.9. ALL JOINTS SEALED W/ BUTYL RUBBER JOINT SEALANT

**Physical Specifications:**

Cover Weight:	6,995 lbs
Tank Weight:	16,755 lbs
Total Weight:	23,750 lbs
Available Capacity:	2,067 gal (max)
Working Capacity:	1,572 gal (4"Ø PVC) 1,527 gal (6"Ø PVC)