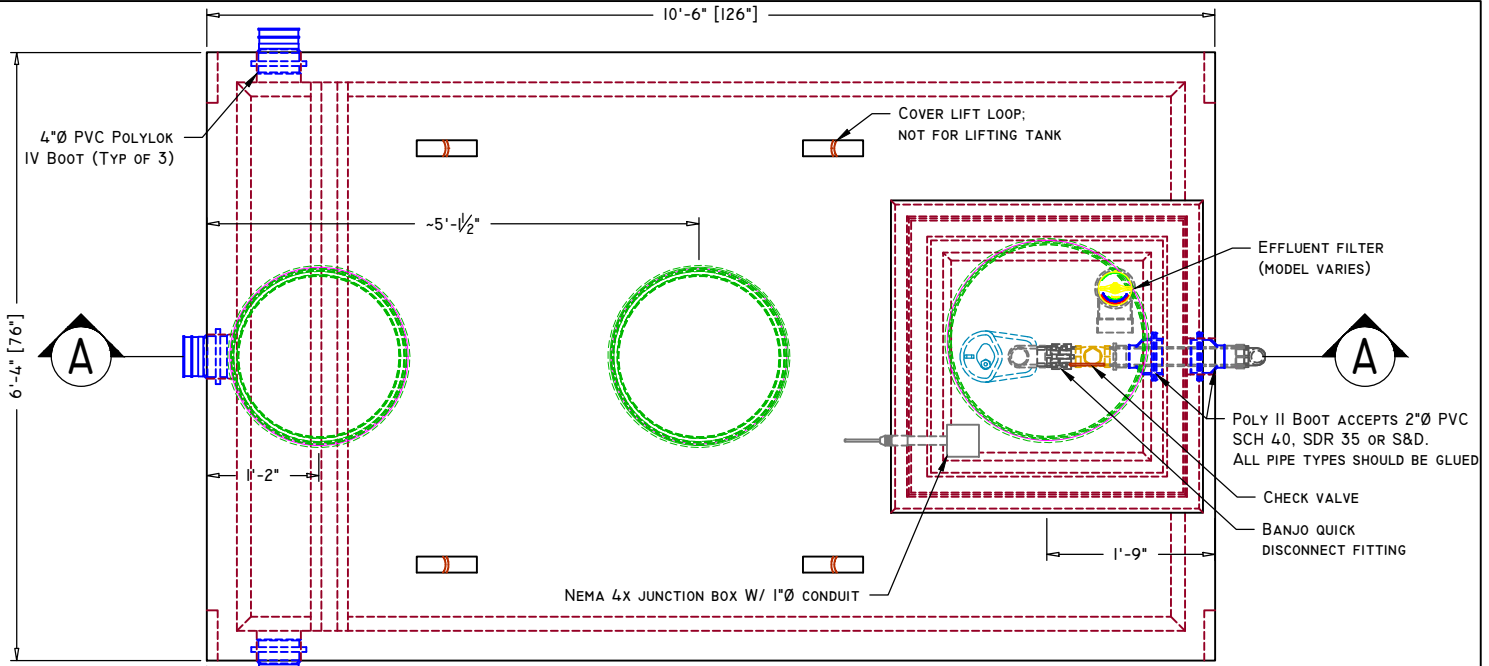




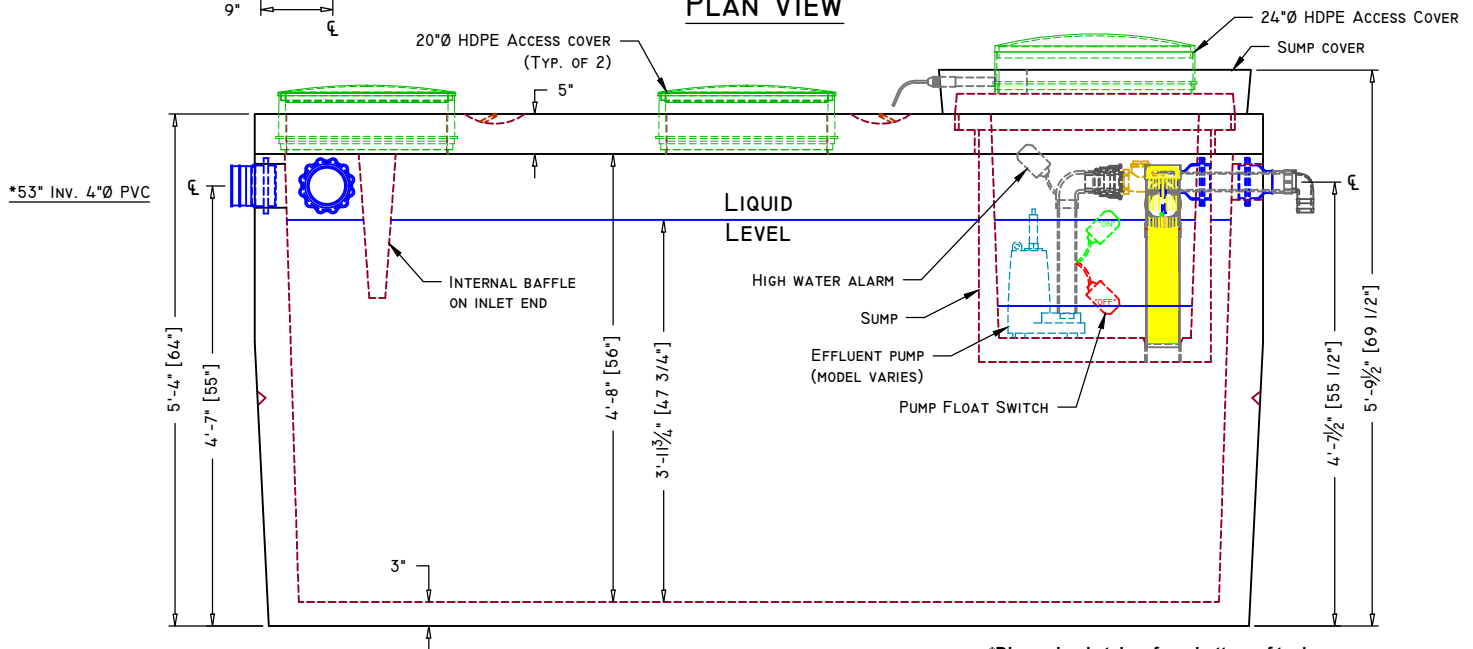
American Concrete Industries

1500 GALLON REGULAR LIFT STATION (NEW STYLE)

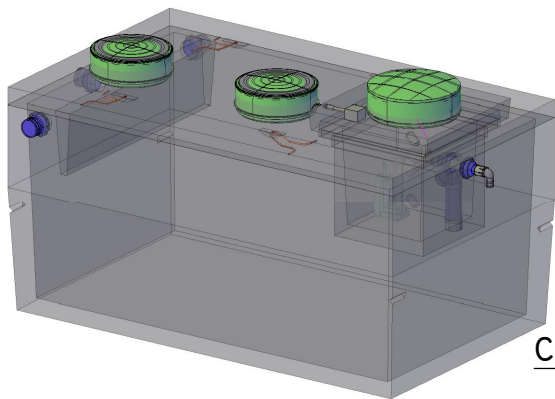
WWW.AMERICANCONCRETE.COM
 1717 STILLWATER AVE.
 VEAZIE, ME. 04401
 TEL: (207) 947-8334
 FAX: (207) 947-3580



PLAN VIEW



ELEVATION VIEW



CONCEPTUAL VIEW

SCALE: NTS

*Dimension is taken from bottom of tank

Manufacturing Notes

- 1.1. CONCRETE COMPRESSIVE STRENGTH: 5000PSI @ 28 DAYS
- 1.2. AIR ENTRAINMENT: 4-6%
- 1.3. GRADE 60 REINFORCEMENT
- 1.4. WWR & STRUCTURAL FIBER REINFORCED BASE
- 1.5. TANKS SHOULD BE PUMPED EVERY 3-5 YEARS, DEPENDING ON USE
- 1.6. NEVER USE SEPTIC CLEANING AGENTS
- 1.7. DESIGNED FOR PEDESTRIAN LOAD RATING ONLY
- 1.8. ALL TANK PENETRATIONS ARE INTEGRALLY CAST
- 1.9. ALL JOINTS SEALED W/ BUTYL RUBBER JOINT SEALANT
- 1.10. LIFT / PUSH / CORD LENGTH INFORMATION REQUIRED AT TIME OF ORDERING

Physical Specifications:

Cover Weight:	3,784 lbs
Tank Weight:	10,055 lbs
Sump Weight:	795 lbs
Sump Cover Weight:	323 lbs
Total Weight:	14,957 lbs
Available Capacity:	1,841 gal (max) W/ Baffle
Working Capacity:	1,568 gal (4"Ø PVC) W/ Baffle

RESIDENTIAL | LIFT STATIONS | 1500GAL

AMERICAN CONCRETE INDUSTRIES CATALOG ITEM#

SCALE: 1/2" = 1'-0" UNLESS OTHERWISE NOTED

DRAWN DATE: 10/26/2015

REVISION #:

SSM/OLM

REVISION DATE: 12/18/18