



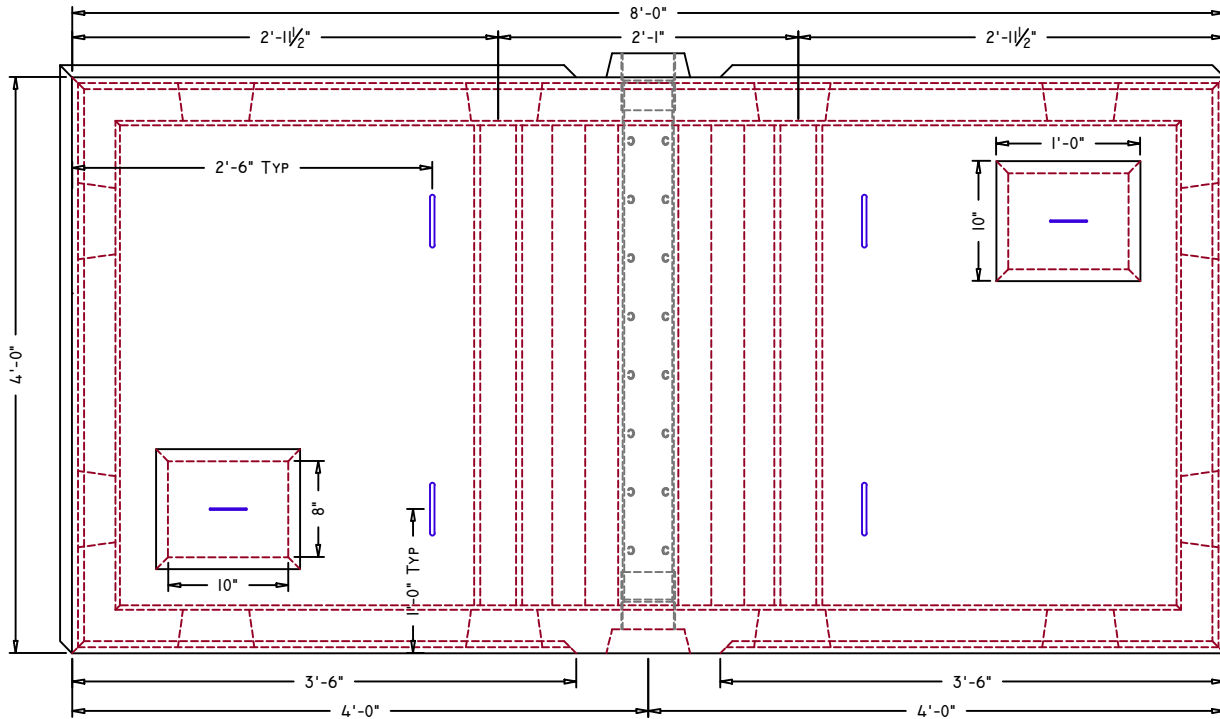
American Concrete Industries

4'x8' SIDE FEED FLOWDIFFUSOR

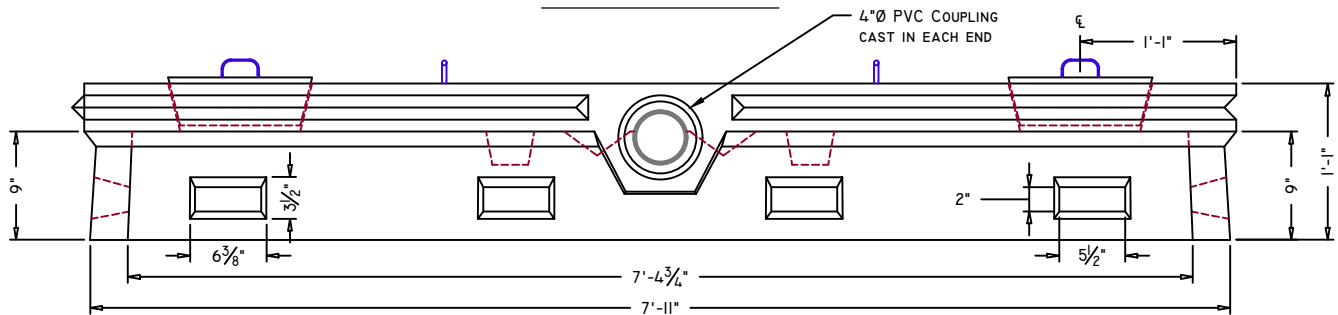
ACI CATALOG 2014 / FLOWDIFFUSORS

RESIDENTIAL SEPTIC LEACHING PRODUCTS

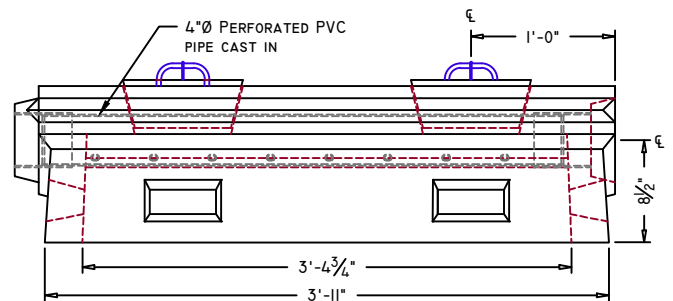
ITEM#285020



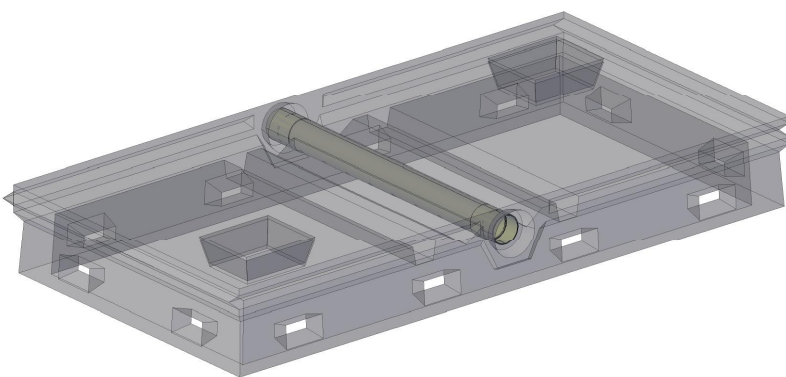
PLAN VIEW



ELEVATION VIEW



END VIEW



CONCEPTUAL VIEW - NTS

Manufacturing Notes

- 1.1. CONCRETE COMPRESSIVE STRENGTH: 5000PSI @ 28 DAYS
- 1.2. AIR ENTRAINMENT: 4-6%
- 1.3. GRADE 60 REINFORCEMENT
- 1.4. DESIGNED FOR PEDESTRIAN LOAD RATING ONLY
- 1.4.1. SPECIFY H20 FOR BURIAL DEPTHS > 5'

Physical Specifications:

Weight: 2,225 lbs

WWW.AMERICANCONCRETE.COM

1717 STILLWATER AVE.
VEAZIE, ME 04401

1022 MINOT AVE
AUBURN, ME 04210

TEL: (207) 947-8334 | FAX: (207) 947-3580

TEL: (207) 784-1388 | FAX: (207) 783-4039

SCALE: 3/4" = 1'-0" UNLESS OTHERWISE NOTED

REVISION #: 0.01

DRAWN DATE: 11/07/2014

SSM

REVISION DATE: 12/13/2017