



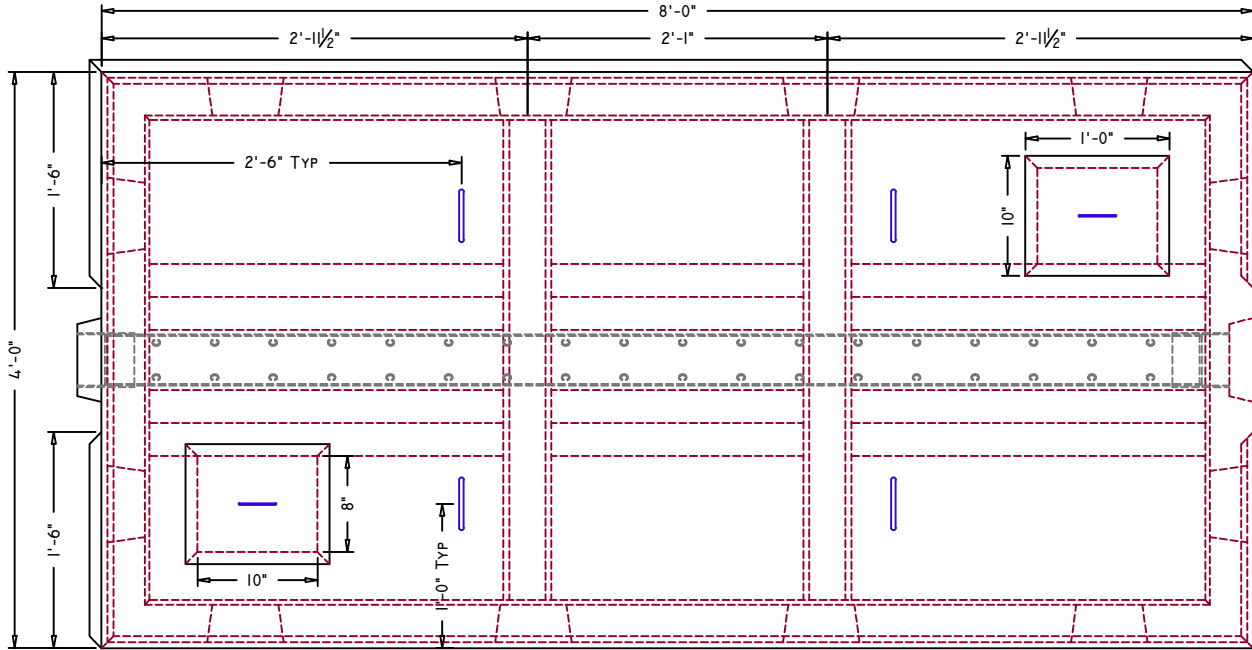
# American Concrete Industries

4'x8' END FEED (H-20) FLOW DIFFUSER

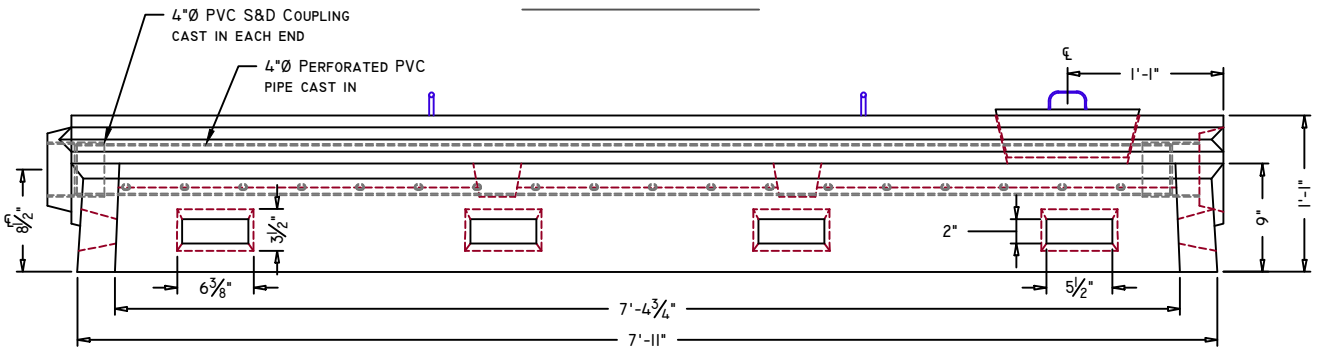
ACI CATALOG 2014 / FLOWDIFFUSORS

RESIDENTIAL SEPTIC LEACHING PRODUCTS

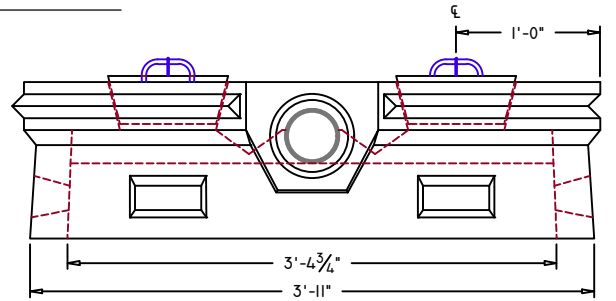
ITEM# 285030



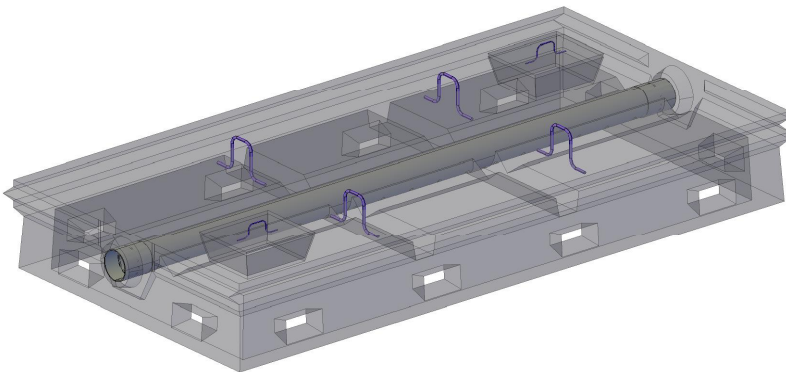
**PLAN VIEW**



**ELEVATION VIEW**



**END VIEW**



**CONCEPTUAL VIEW - NTS**

**Manufacturing Notes**

- 1.1. CONCRETE COMPRESSIVE STRENGTH: 5000PSI @ 28 DAYS
- 1.2. AIR ENTRAINMENT: 4-6%
- 1.3. GRADE 60 REINFORCEMENT
- 1.4. DESIGNED FOR TRAFFIC H-20 LOAD RATING
  - 1.4.1. MINIMUM SOIL COVER (H-10 LOADING): 12"
  - 1.4.2. MINIMUM SOIL COVER (H-20 LOADING): 24"
  - 1.4.3. DESIGNED FOR BURIAL DEPTHS >5' - HOWEVER, SOIL BEARING CAPACITIES SHOULD BE REVIEWED

**Physical Specifications:**

Weight: 2,225 lbs

WWW.AMERICANCONCRETE.COM

1717 STILLWATER AVE.  
VEAZIE, ME 04401

1022 MINOT AVE  
AUBURN, ME 04210

TEL: (207) 947-8334 | FAX: (207) 947-3580

TEL: (207) 784-1388 | FAX: (207) 783-4039

SCALE: 3/4" = 1'-0" UNLESS OTHERWISE NOTED

DRAWN DATE: 11/07/2014

SSM

REVISION #:

REVISION DATE: