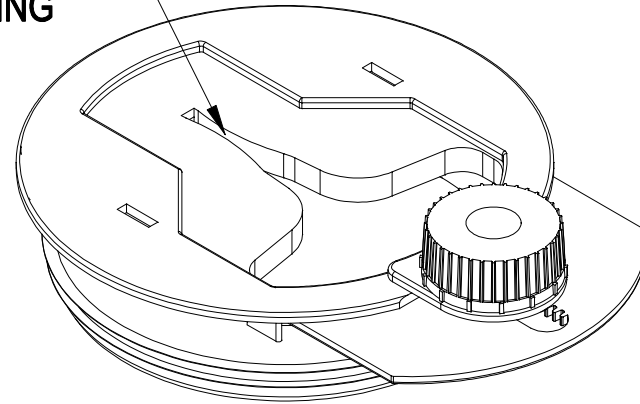
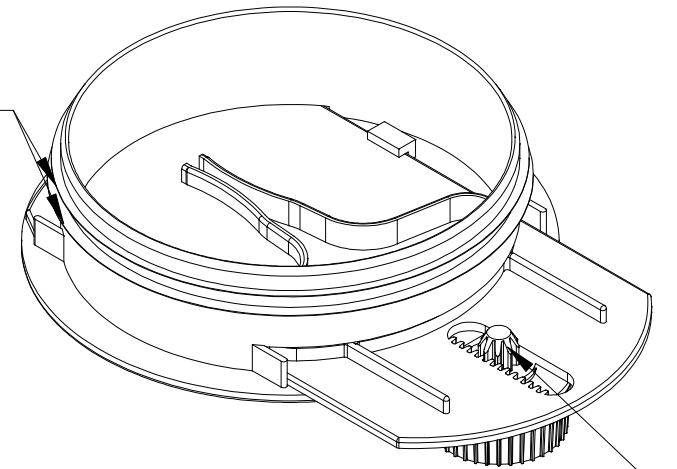


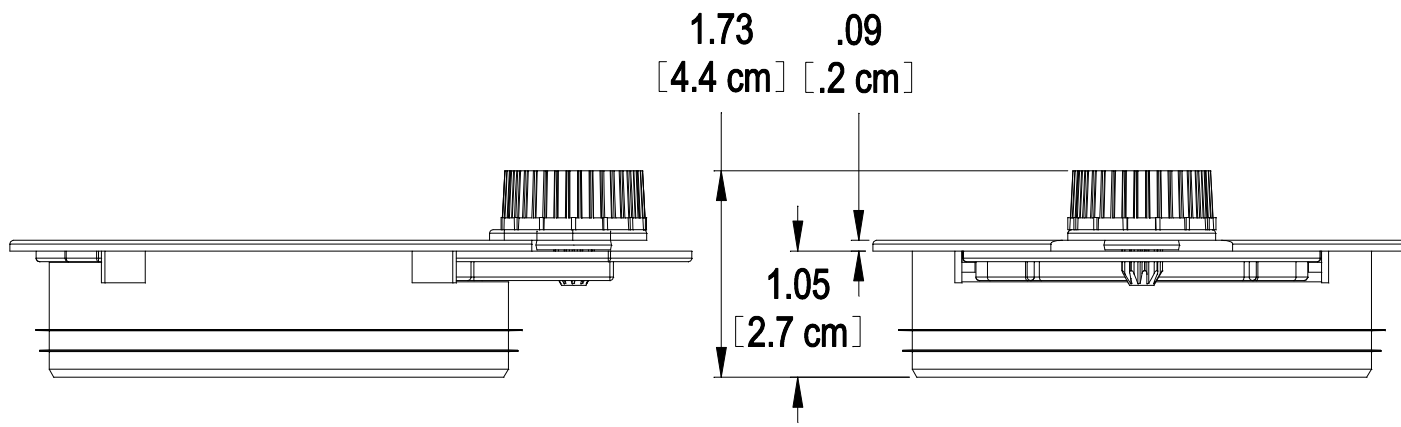
THIS WEIR SHAPE IS SELF LEVELING



THESE RIBS PROVIDE FRICTION FIT FOR ALL 4" PIPE ID



GEAR AND RACK PROVIDES POSITIVE ONE TIME LEVELING



**POLYLOK EQUALIZER**  
**PART NO. - 3049**  
**MATERIAL - FILLED POLYPROPYLENE**