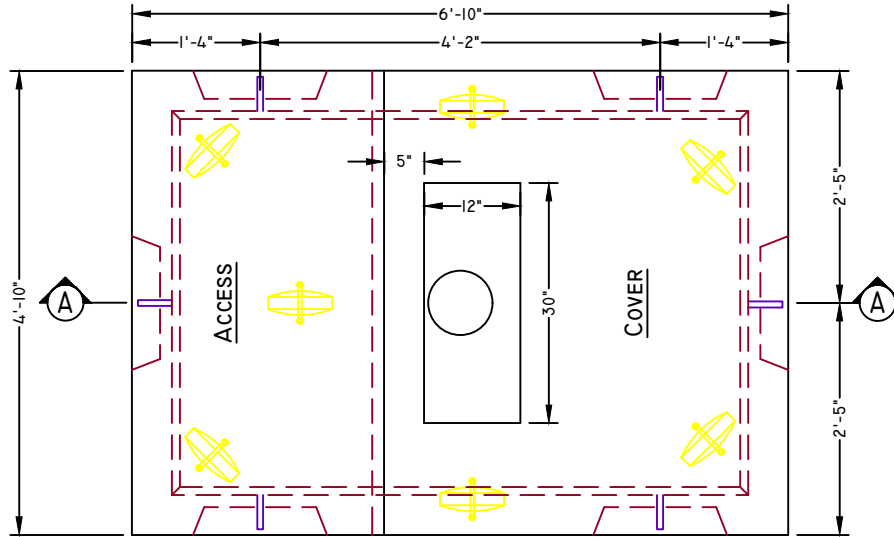




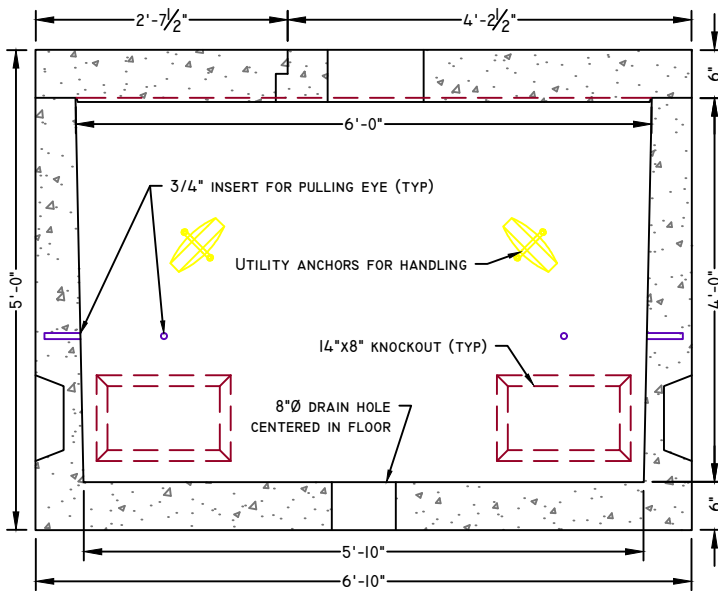
# American Concrete Industries

EMERA MAINE 4'x6' SPLIT-TOP TRANSFORMER PAD  
(25-167KVA, EMERA # 2202)

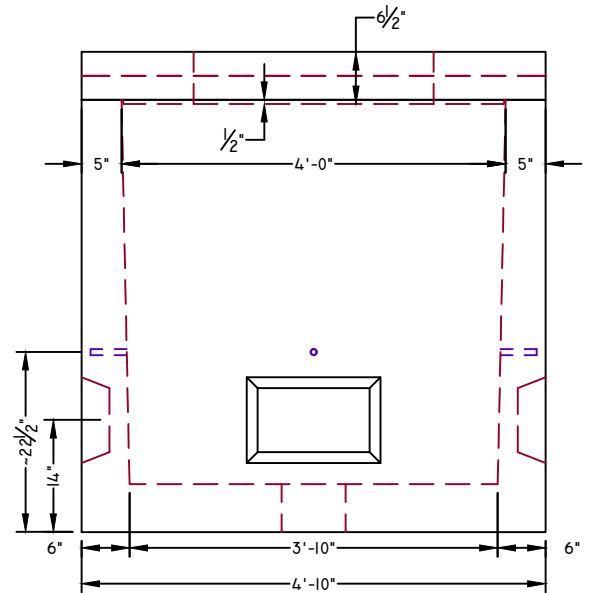
WWW.AMERICANCONCRETE.COM  
1717 STILLWATER AVE.  
VEAZIE, ME. 04401  
TEL: (207) 947-8334  
FAX: (207) 947-3580



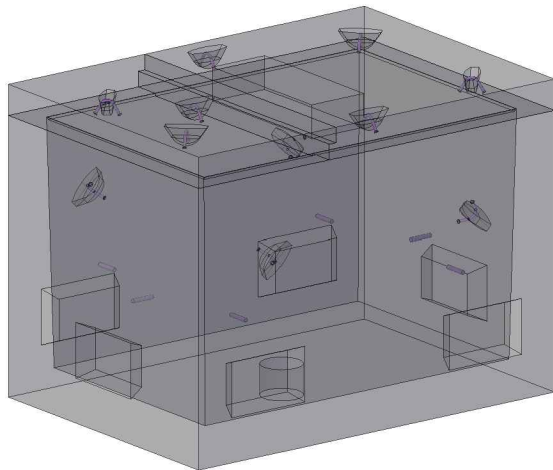
**PLAN VIEW**



**SECTION A-A**



**SIDE VIEW**



**CONCEPTUAL VIEW**

SCALE: NTS

\*Some details not shown for clarity

**Manufacturing Notes**

- 1.1. CONCRETE COMPRESSIVE STRENGTH: 5000PSI @ 28 DAYS
- 1.2. AIR ENTRAINMENT: 4-6%
- 1.3. GRADE 60 REINFORCEMENT
- 1.4. PULLING EYES  $\approx$  4.5"  $\epsilon$  ABOVE KNOCKOUTS (TYPICAL)
- 1.5. SEALANT AROUND BASE OF ACCESS / COVER NOT PERMITTED
- 1.6. KNOCKOUTS LOCATED UNDER ACCESS TO BE USED FOR PRIMARY CONDUCTORS ONLY

**Physical Specifications:**

Access Weight: 970 lbs  
Cover Weight: 1,430 lbs  
Base Weight: 8,100 lbs  
Total Weight: 10,500 lbs